



Laptop Motherboard Schematics

Subscribe with Feedreader Online

2012-07-04 [Asus ,HCL X51C \(T12C\) Motherboard schematic](#)

The motherboard schematic for Asus X51C (T12C) notebook/laptop.

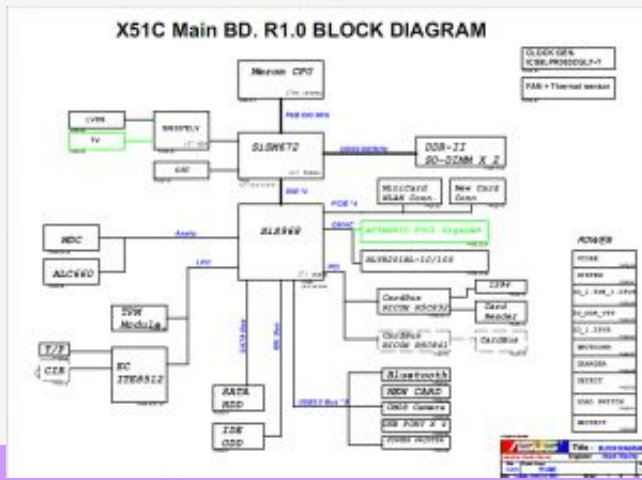
CPU: Merom

Wednesday, 04 More X

The motherboard schematic for Asus X51C (T12C) notebook/laptop.

- CPU: Merom
- North Bridge: SiSM672
- South Bridge: SiS968
- Revision: 1.1
- Project Name: T12C
- Format: PDF
- Total Pages: 94
- File size: 1.58MB

Buy Now



0 Comments

Posted by: Manvendra Verma AT 02:02 am | [Permalink](#) | [0 Comments](#) | [Email](#)

Comments: [post comment](#)

Post comment

- Related channels:** [Driver download](#)
- Recent discoveries:** [How To Apply For Iffco And All Details, Up Junior Science](#)
- See also:** [The best alternative to Google Reader](#)